

8



 **ravioli**


ISO 9001
RAVI 9105

Twin Connectors for Electrical Traction

Twin Connectors

EUROPE Series

80 - 160 - 320A

Main features

These connectors are suitable for linking electrical motors, batteries and battery chargers for lift trucks and electric vehicles up to each other.

Each model is made up of a plug and a socket different from each other, and both prepared with a fitting for a handle.

The range includes three models:

80A: for 16 or 25 mm² insulated cable

160A: for 16, 25, 35, or 50 mm² insulated cable

320A: for 35, 50, or 70 mm² insulated cable

All types are prepared for the use of reducing bushings depending on the diameter of cable used.

The main contacts are in silver-plated electrolytic copper.

As laid down by the Norms:

- the connectors are supplied with a coding pin for operating voltage which ensures that only same voltage plugs and sockets will be connected.

The codified values are 24-36-48-72-80-96V cc.

- standard equipment includes a cable clamp at the end of the joined plug and socket, which guarantees protection degree IP23.
- all electrical parts are protected against accidental contact.

In addition, two auxiliary contacts featuring maximum 20A continuous duty with advance opening compared to the main contacts can be mounted.

Why EURO - Connectors ?

The European Union has led to the unifying and standardising of norms for all lift truck manufacturers.

Their products must therefore satisfy the norms included in the EEC European Machine Directive 89/392.

In the case of connectors the corresponding requirements are defined in the EEC European Directive 73/23 - Low Voltage.

RAVIOLI's EURO-Connectors have CE markings and are in conformity with the following Norms:

- The Norm DIN 43589 parts 1 and 2, which define unified distances between centres and unified dimensions.
- Recommendations FEM 4007a and 4007b
- EEC European Community Directive 86/663 Add.C
- Standardised European Norm EN1175-1
- EEC European Directive 73/23 - Low Voltage

Using EUROPE Series Connectors, RAVIOLI customers know that they are in conformity with the CEE Norms.



Other Features

Maximum operating voltage 150V cc

Temperature range -20°C + 90°C

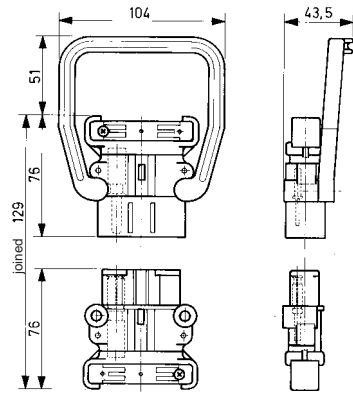
Mechanical life (connecting-disconnecting manoeuvres) > 10⁶ op.

The moulded housing is made of material with high dielectric and mechanical resistance, resistant to both bases and acids normally found in batteries.

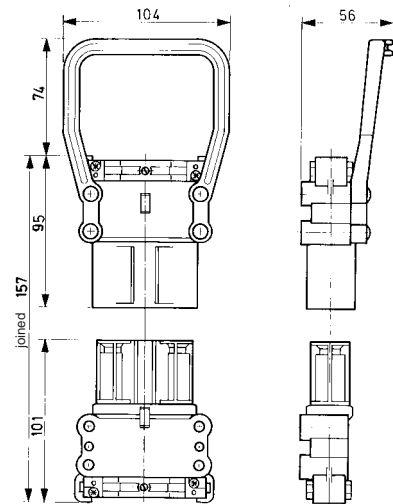
Possibility of soldering or crimping the cables in the contacts.



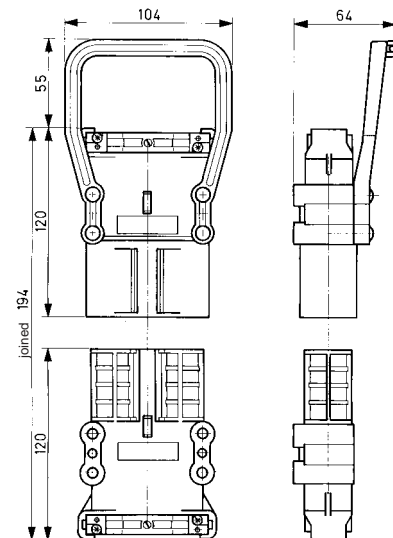
Dimensions



80 A



160 A



320 A

Types and Codes

Europe Series twin connectors are always supplied dismounted, but complete with all accessories required for mounting.

		cat no.	Code
80A	16/25 mm ² plug - complete kit	331	E SBC80
	16/25 mm ² socket - complete kit	333	E PBC80
	80A handle	339	E MAN80S
	Male main contacts - 16/25 mm ² (2 pcs.)	357	E GPP-S80
	Female main contacts - 16/25 mm ² (2 pcs.)	359	E GPP-P80
	Male auxiliary contacts (2 pcs.)	337	E XS80
	Female auxiliary contacts (2 pcs.)	338	E XP80
160A	35/50 mm ² plug - complete kit	631	E SBC160
	35/50 mm ² socket - complete kit	633	E PBC160
	Male main contacts - 35/50 mm ² (2 pcs.)	657	E GPP-S160
	Female main contacts - 35/50 mm ² (2 pcs.)	658	E GPP-P160
320A	50/70 mm ² plug - complete kit	931	E SBC320
	50/70 mm ² socket - complete kit	933	E PBC320
	Male main contacts - 50/70 mm ² (2 pcs.)	659	E GPP-S320
	Female main contacts - 50/70 mm ² (2 pcs.)	960	E GPP-P320

Particulars common to models 160 - 320A

Handle	639	E M160320S
Male auxiliary contacts (2 pcs.)	937	E XS160320
Female auxiliary contacts (2 pcs.)	938	E XP160320

Twin Connectors

Types BC 250

250 A



Main features

These plugs and sockets complete the range of twin connectors used for link-ups between battery-operated vehicles and battery chargers.

The main contacts are in copper alloy and are prepared for soldering of cables.

An auxiliary contact with advanced opening compared to the main contacts can be fitted on the connectors.

They are always supplied dismantled and complete with all accessories required for mounting.

Other Features

Maximum operating voltage 150V cc

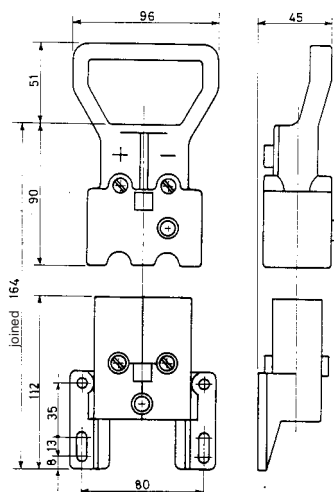
Temperature range -20°C + 90°C

Nominal current 250A

Max. section of insulated flexible cable:

- 50 mm² per for main contacts

- 10 mm² for auxiliary contacts



Types and Codes

		n° cat.	Codice
250A	Plug with handle	659	E SBC250
	Socket	649	E PBC250
	Male main contacts (2 pcs.)	853	E GPP-S250
	Female main contacts (2 pcs.)	854	E GPP-P250
	Male auxiliary contact (1 piece)	859	E SAX-S250
	Female auxiliary contact (1 piece)	860	E SAX-P250