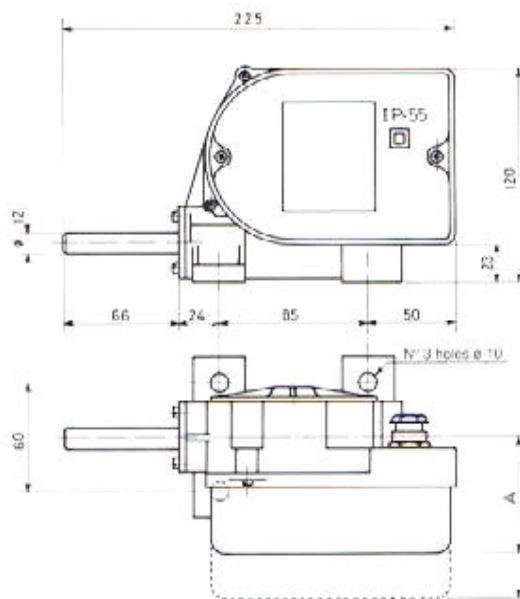


WORM DRIVE LIMIT SWITCHES



2 contacts A = 65 mm
3-4 contacts A = 90 mm

MAIN FEATURES

The worm drive limit switches, FCR type, are particularly suitable for controlling the stops of the lifting electric circuits on building cranes and bridge cranes.

The range includes, among the others, the limit switches equipped with up to 4 microswitches and respective adjustable cams, profile type 1 (standard - white coloured).

On request two other types of cams are available: the profile type 2 (grey coloured) or type 3 (red coloured). They are essential in any particular case to modify the operation chart.

The worm drive limit switches are furthermore supplied in two different versions: either with slow guaranteed opening switches (CEI 17.12 chapter 492) or with changeover quick break switches.

The outer casing is made of thermoplastic material with high mechanical and temperature variation resistance.

FURTHER FEATURES

Insulation voltage	250V-
Maximum exercise voltage	250V-
Grey coloured lower casing	RAL 8301
Yellow coloured cover casing	RAL 8260
Operating temperature range	-30 °C +70 °C
Drive	worm screw
Maximum rotation speed	1500 revs. per min.
Cable entries	2 x PG 11
Insulation	according to VDE 0110 group C
Protection degree	IP 55 (CEI 70-1 chapt. 519 IEC 529)
In compliance with rules:	IEC 337-1 337-1A CFI 44.5 chapt. 729 VDE 0660 CSA ASE CEE 24
Protection against contact voltages:	double insulating (CEI 17.13 chapt. 542)

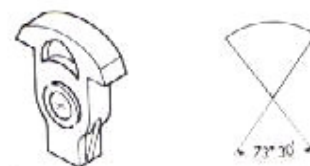
CAMS PROFILE



type 1 (white)



type 2 (grey)



type 3 (red)

STANDARD EXECUTIONS

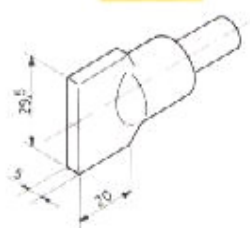
RATIO	EFFECTIVE	ROTATIONS			MICROSWITCHES WITH GUARANTEED OPENING CODES	
		USEFUL CAM 1	USEFUL CAM 2	USEFUL CAM 3	2 CONTACTS	4 CONTACTS
1 : 25	25	23	21	19	B F25 AP2	B F25 AP4
1 : 50	50	46	42	38	B F50 AP2	B F50 AP4
1 : 100	96	88	81	72	B F100 AP2	B F100 AP4
1 : 175	175	161	149	133	B F175 AP2	B F175 AP4

RATIO	EFFECTIVE	ROTATIONS			MICROSWITCHES WITH QUICK BREAK CHANGEOVER CODES	
		USEFUL CAM 1	USEFUL CAM 2	USEFUL CAM 3	2 CONTACTS	4 CONTACTS
1 : 25	25	23,7	22,5	19,5	B F25-2	B F25-4
1 : 50	50	47,5	45	39	B F50-2	B F50-4
1 : 100	96	93	88	76	B F100-2	B F100-4
1 : 175	175	166	157	136	B F175-2	B F175-4

ACCESSOIRES AND SPARE PARTS

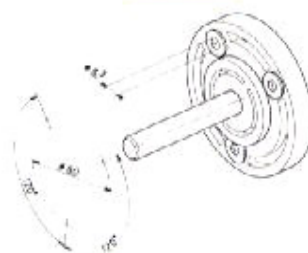
COUPLING PIN

CODE **B INNFCR**



FIXING FLANGE

CODE **B FLANFCR**



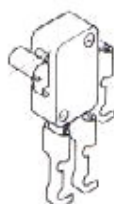
MODULUS

CODE **B MOD6FCR**



Accessoires matter: self-lubricating nylon

MICROSWITCH WITH QUICK BREAK CHANGEOVER



CODE **B MICRINT**

FEATURES OF THE CONTACT ELEMENTS

250V-	Insulation voltage	250V-
1000V-	Test voltage	2000V-
10 (3) A	Operating current	10 (3) A
EEC 24 - VDE 0630	Breaking power	EEC 24 - VDE 0630
2 x 10 ⁶ operations	Mechanical life	2 x 10 ⁶ operations
faston	Clamps	faston
Performances		
V 24 48 110 220	AC 11	V 24 48 110 220
A 10 10 8 6		A 10 10 8 6
V 24 48 110 220		V 24 48 110 220
A 5 1 0.3 0.1	DC 11	A 5 5 2.5 0.5

MICROSWITCH WITH GUARANTEED OPENING



CODE **B APNCINT**